

StaebeL EvacSmart Evacuation Mat User Manual

Product Code: 99347



Thank you for choosing Staebel EvacSmart Evacuation Mat.

We aim to ensure you are satisfied with your EvacSmart Evacuation Mat in terms of both performance and durability. We therefore kindly ask you to spend a few minutes reading through these user instructions to ensure you can take the best possible care. If you have any questions that are not answered in these user instructions, please contact us at Staebel.

You will find our contact details on the bottom page of these user instructions.

USING THE EVACSMART EVACUATION MAT

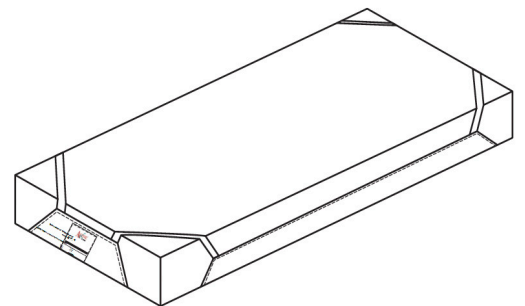
EvacSmart sheets are designed to be used in case of fire or other emergency situations, to evacuate immobile patients quickly to safety. Suitable for the use with mattress size of:

Suitable for Mattress Size	
Width	850 - 900 mm
Length	1950 - 2050 mm
Thickness	100 - 180 mm

INSTRUCTIONS FOR USE

To Fit:

Place evacuation sheet on bed lying surface with the label face downwards. All straps must be stowed inside the strap pockets or under the elastic hold-downs ready for deployment. In no circumstances must straps be entwined or entangled with the bed frame parts. Place mattress on top of sheet and pull elastic straps over the corners of the mattress to hold EvacSmart sheet in place. The bed can now be made as normal with the sheets tucking in under the EvacSmart sheet.



To Deploy:

Remove the patient restraint straps from their pockets on one side and pass over the patient. Remove the patient restraint straps from the opposite side of the bed and click the pairs of straps together. If possible place a pillow under each of the straps, and then pull tight.

Lower the bed to its lowest position, remove the towing strap at the head of the EvacSmart sheet, then rotate the whole mattress assembly 90° until it is perpendicular to the bed. By pulling on the towing strap the mattress will slide on to the floor and can then be dragged to safety. Note that two people may be necessary for this operation. The evacuation should be able to be performed without any manual lifting of the patient. Once evacuated, the patient may need to be made comfortable until the all clear is given and the patient can be reinstated to a suitable bed using a hoist.

CLEANING INSTRUCTIONS

If this sheet does get soiled, wash with a mild soap solution, temperature 50°, rinse thoroughly. Do not use bleach, cleaning solvents or harsh detergents. Tumble dry at low temperature; exhaust temperature max 40°, do not iron, do not dry clean.



COMPONENT PART DIAGRAM

Materials:

Body: Nylon PU Coated

Webbing: Polyester

